



Leg Press

TG0870

TGO took inspiration for the design of the leg press from the indoor gym industry to produce a smooth and easy to use leg press that glides up and down an inclined track. The large footplate allows for a variety of foot positions to accommodate many exercise variations and users. The Leg Press works leg and gluteal muscles under a controlled plane, with feet fixed onto the designated footplate. Change your foot position to work the calf muscles too.

Specification

- 100% Made in Britain
- Certified to EN16630, (legacy standards, BSI PAS888 - safety compliant for ALL ages, users and non-users & DIN79000 - safety compliant for users, aged 14+). All TGO outdoor gym equipment is free from exposed end stops, entrapments, sharp edges and crush points

ALWAYS ASK FOR EN16630 FOR OUTDOOR GYMS

- Great instructional signage- workout QR code videos, start and finish diagrams.
- Weatherproof
- Resistance-based equipment - no electricity required
- Low maintenance
- Designs include key elements of Inclusive Fitness Initiative guidelines
- TGO plant a tree in the NHS Forest for every piece of equipment sold
- Anti vandal fixings
- Available in all major RAL colours
- Stop mechanisms concealed
- Paint UV stabilised
- Welds certified to EN15015614
- Powder coated finish
- Separate ground anchor for future upgrades



Leg Press

TG0870

Production Details

Manufacturer Standard: EN16630 (legacy standards - PAS888, Din79000)
 Framework: Mild Steel Grade S275 (min 3mm thick)
 Finish: High quality gloss finish polyester powder coat paint
 Signage: High quality reverse printed PETG
 Seats and Backs: Enhanced Polyphenylene Ether (PPE) Resin

Enhanced Corrosion Protection

An enhanced corrosion protection is available on request for this product. Hot dip galvanising is the process TGO use to add a protective coating to the body of our products on our equipment in coastal areas, which have higher air salinity or in harsh urban and industrial atmospheres with higher sulphur dioxide pollution*.

The upgrade includes:

- Upgrading to hot dip galvanising
- Fixings are upgraded from A2 to A4 stainless steel

*An upgrade to galvanised steel will be necessary for the warranty in these environments.

Installation

This product is installed onto two generic TGO Large Ground Anchors. Please see the 'TGO Installation & Assembly Guidelines' for guidance on installing this anchor. Please refer to the diagram opposite for safety spacing.

Safety

This product requires 1.5m of clear space around the equipment (green outline)

- Falling height: 0.59m
- Clear Space: 18m²

There is no safer surface requirement and therefore TGO only recommend a minimal surface area (grey outline).

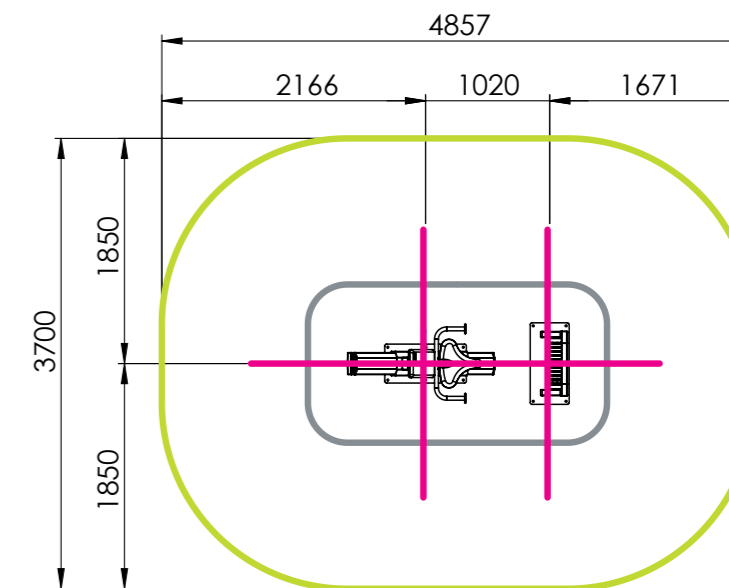
Parts List

No	Part	Dimensions	Weight	Qty
1	Sign Frame	L320, W670, H1500	47 kg	1
2	Leg Press Track Assembly*	L1207, W561, H1021	95 kg	1
3	Large Anchor [†]	L777, W489, H344	23 kg	2

*Based on the product in the resting position

[†]Substituted with 6x HILTI fixings for surface mounted option

Clear Space Required Recommended Surfacing Base Plate & Centre Lines
 (25mm tolerance added in each direction)



Ground anchor is separate, makes future upgrades easy!

